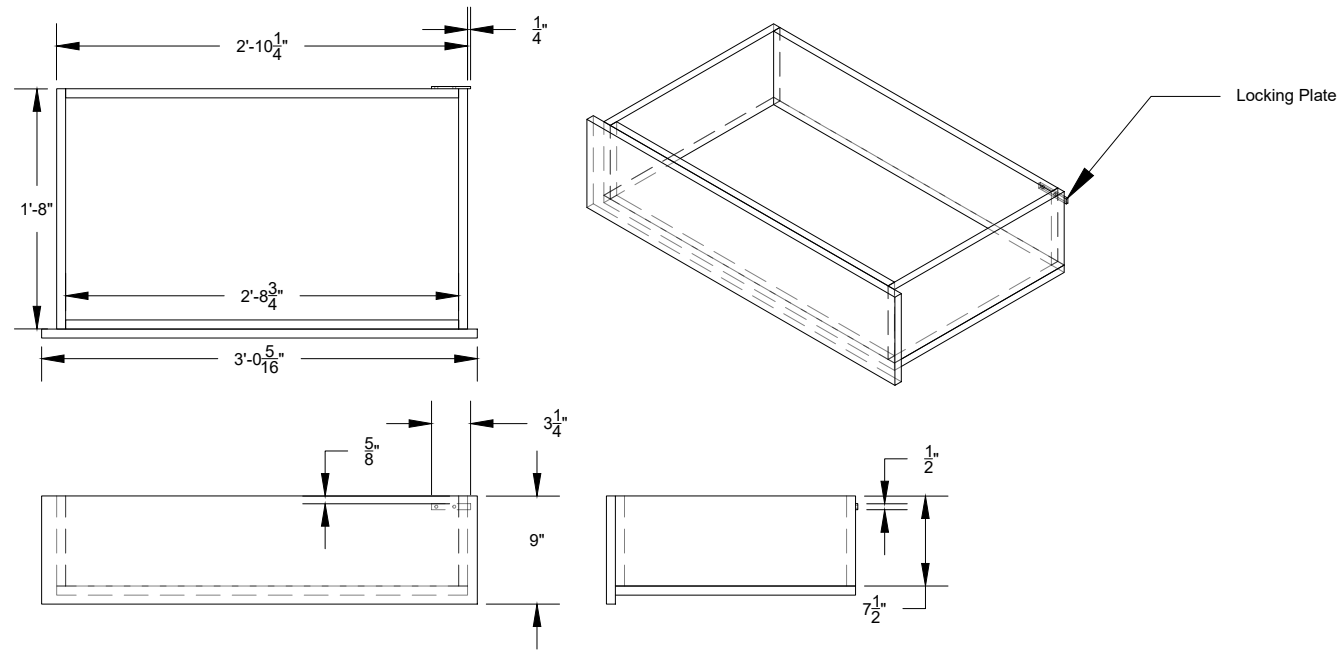


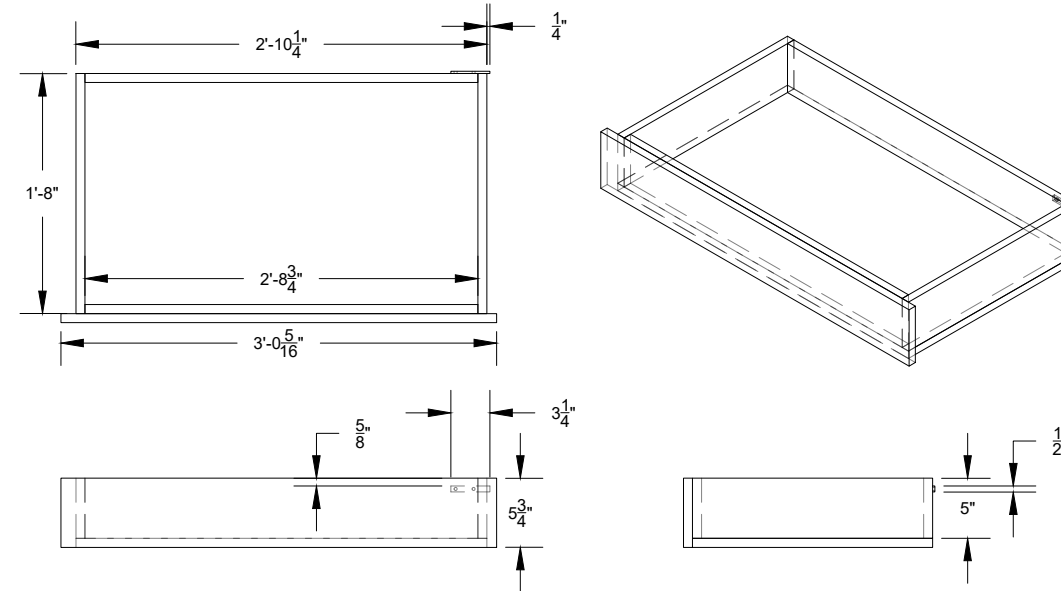
Portaband Drawer



Cut List

- $\frac{3}{4}$ AC Ply
- 1 @ 2' - 10¹/₄" x 1' - 8"
- 1 @ 3' - 0⁵/₁₆" x 0' - 9"
- 2 @ 0' - 7¹/₂" x 2' - 8³/₄"
- 2 @ 0' - 7¹/₂" x 1' - 8"

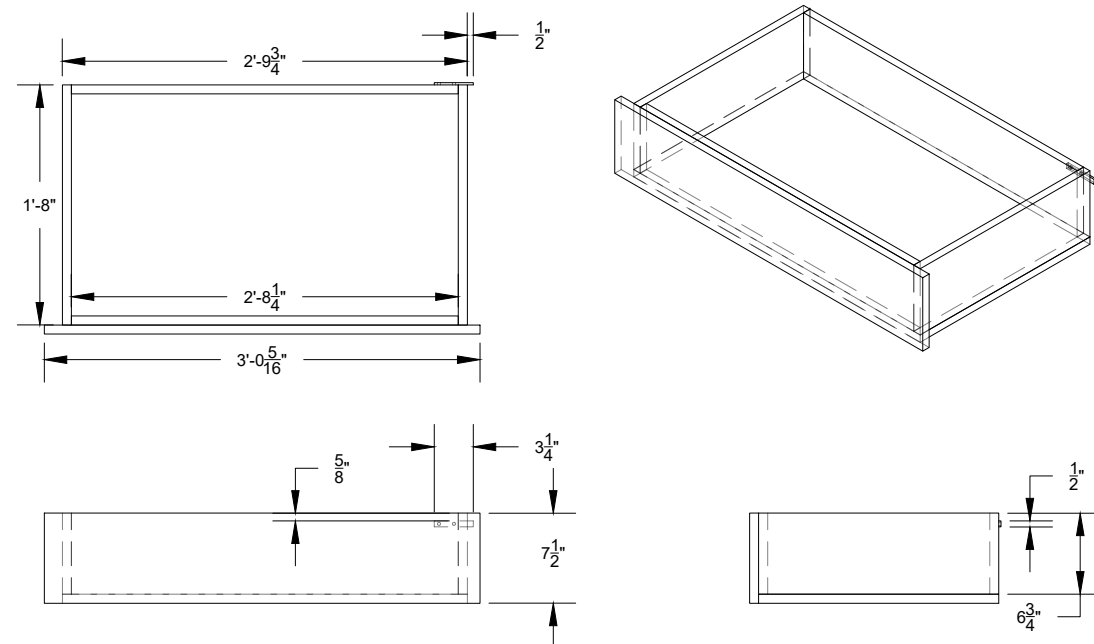
SawZall Drawer



Cut List

- $\frac{3}{4}$ AC Ply
- 1 @ 2' - 10¹/₄" x 1' - 8"
- 1 @ 3' - 0⁵/₁₆" x 0' - 5³/₄"
- 2 @ 0' - 5" x 2' - 8³/₄"
- 2 @ 0' - 5" x 1' - 8"

Pipe Drawer



Cut List

- $\frac{3}{4}$ AC Ply
- 1 @ 2' - 9³/₄" x 1' - 8"
- 1 @ 3' - 0⁵/₁₆" x 0' - 7¹/₂"
- 2 @ 0' - 6³/₄" x 2' - 8¹/₄"
- 2 @ 0' - 6³/₄" x 1' - 8"

Notes:

- Glue and screw frames
- Don't attach face pieces until drawers are installed
- Bolt locking plates to back of drawers precisely

Portaband, SawZall, Pipe Drawers

Metal Working Cabinet

UVa Drama Scene Shop

Venue: Scene Shop

Technical Director: N/A
Assistant Technical Director: N/A

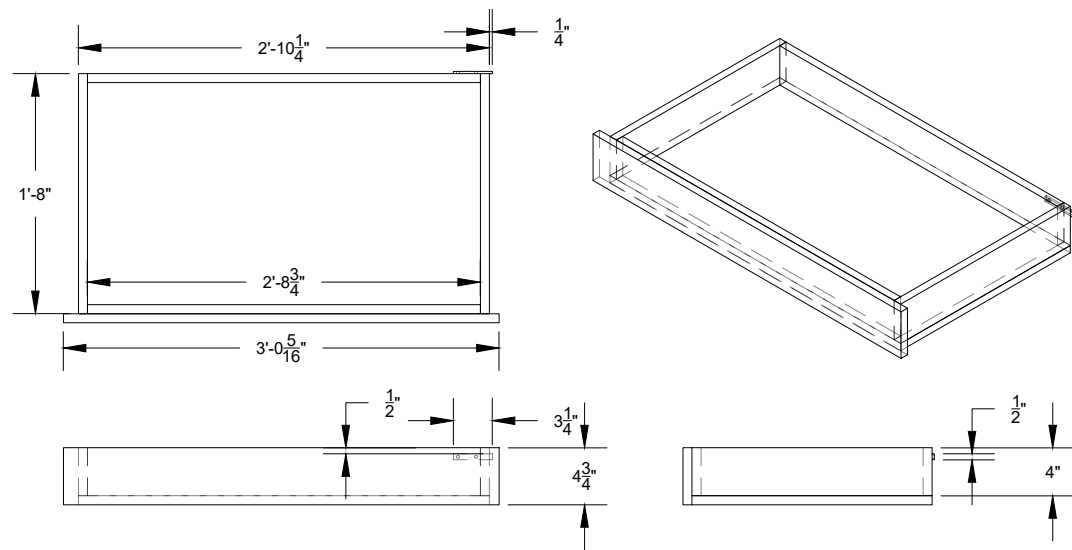
Director: N/A
Designer: Casey Horton

DRAFTED BY: CJH
SCALE: 3/4" = 1'-0"
DATE: 9/19/19

PLATE:



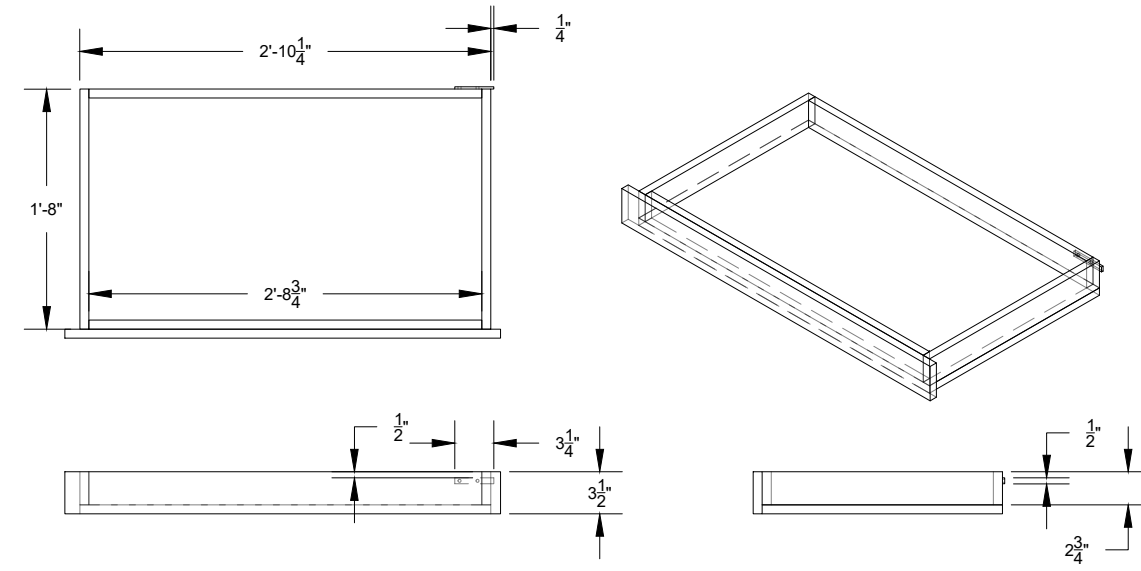
90° Clamp Drawer



Cut List

- $\frac{3}{4}$ AC Ply
- 1 @ 2' - 10¹/₄" x 1' - 8"
- 1 @ 3' - 0⁵/₁₆" x 0' - 4³/₄"
- 2 @ 0' - 4" x 2' - 8³/₄"
- 2 @ 0' - 4" x 1' - 8"

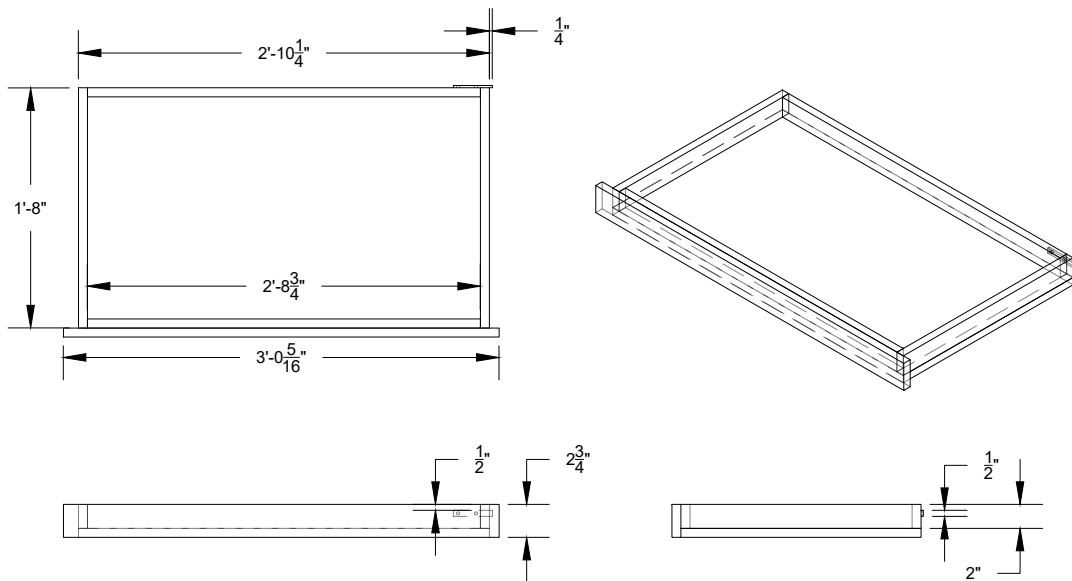
Consumables Drawer



Cut List

- $\frac{3}{4}$ AC Ply
- 1 @ 2' - 10¹/₄" x 1' - 8"
- 1 @ 3' - 0⁵/₁₆" x 0' - 3¹/₂"
- 2 @ 0' - 2³/₄" x 2' - 8³/₄"
- 2 @ 0' - 2³/₄" x 1' - 8"

Tap Drawer



Cut List

- $\frac{3}{4}$ AC Ply
- 1 @ 2' - 9³/₄" x 1' - 8"
- 1 @ 3' - 0⁵/₁₆" x 0' - 2³/₄"
- 2 @ 0' - 2" x 2' - 8¹/₄"
- 2 @ 0' - 2" x 1' - 8"

Notes:

- Glue and screw frames
- Don't attach face pieces until drawers are installed
- Bolt locking plates to back of drawers precisely

Metal Working Cabinet

UVa Drama Scene Shop

90° Clamp, Tap, Consumables Drawers

Director: N/A
 Designer: Casey Horton
 Technical Director: N/A
 Assistant Technical Director: N/A

Venue: Scene Shop

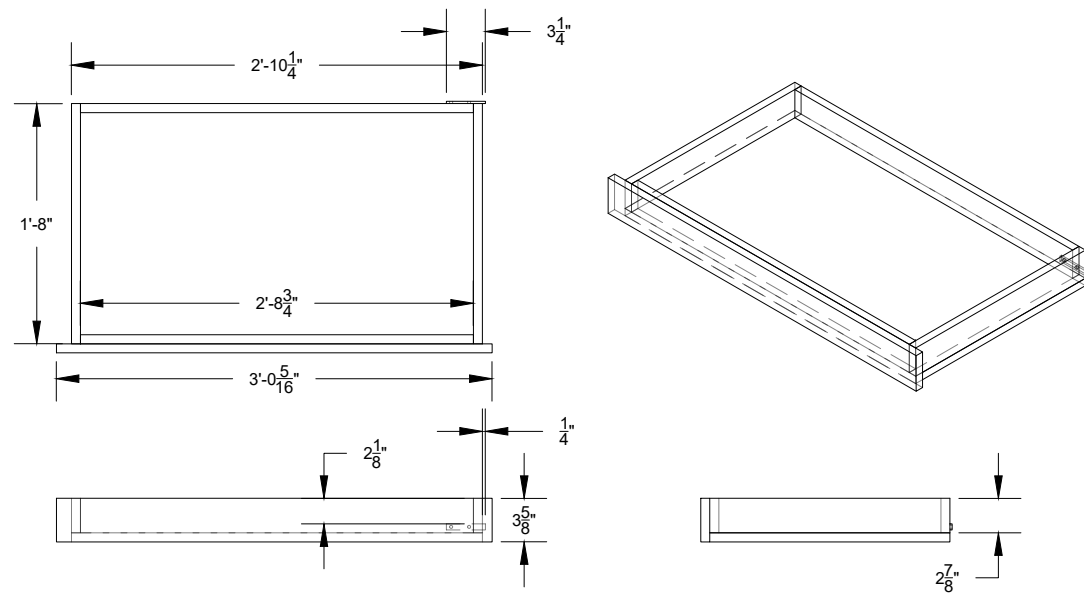
DRAFTED BY: CJH
 SCALE: 1/4" = 1'-0"

DATE: 9/19/19

PLATE:



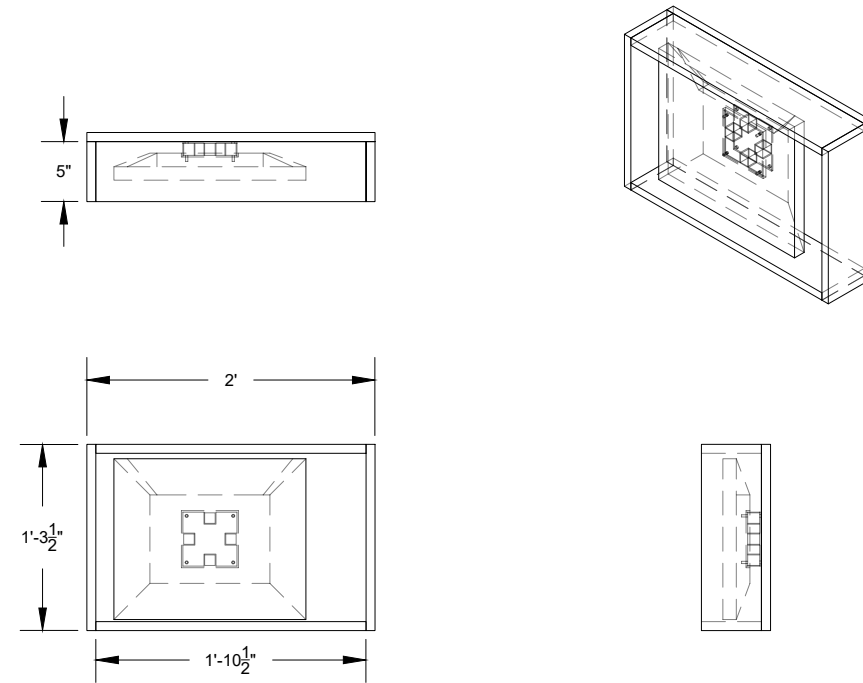
Daily Drawer



Cut List

- $\frac{3}{4}$ AC Ply
- 1 @ 2' - 10 $\frac{1}{4}$ " x 1' - 8"
- 1 @ 3' - 0 $\frac{5}{16}$ " x 0' - 3 $\frac{5}{8}$ "
- 2 @ 0' - 2 $\frac{7}{8}$ " x 2' - 8 $\frac{3}{4}$ "
- 2 @ 0' - 2 $\frac{7}{8}$ " x 1' - 8"

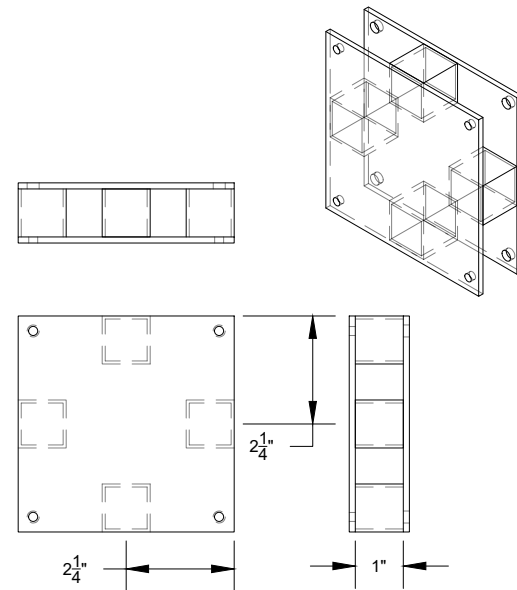
PC Monitor Box



Cut List

- $\frac{3}{4}$ AC Ply
- 1 @ 2' - 0" x 1' - 3 $\frac{1}{2}$ "
- 2 @ 1' - 10 $\frac{1}{2}$ " x 0' - 5"
- 2 @ 1' - 3 $\frac{1}{2}$ " x 0' - 5"

PC Monitor Mount



Cut List

- 1x1 Steel
- 4 @ 0' - 1"

Notes:

- Glue and screw frames
- Don't attach face pieces until drawers are installed
- Bolt locking plates to back of drawers precisely

Director: N/A
 Designer: Casey Horton

Technical Director: N/A
 Assistant Technical Director: N/A

Venue: Scene Shop

Metal Working Cabinet

UVa Drama Scene Shop

DRAFTED BY: CJH

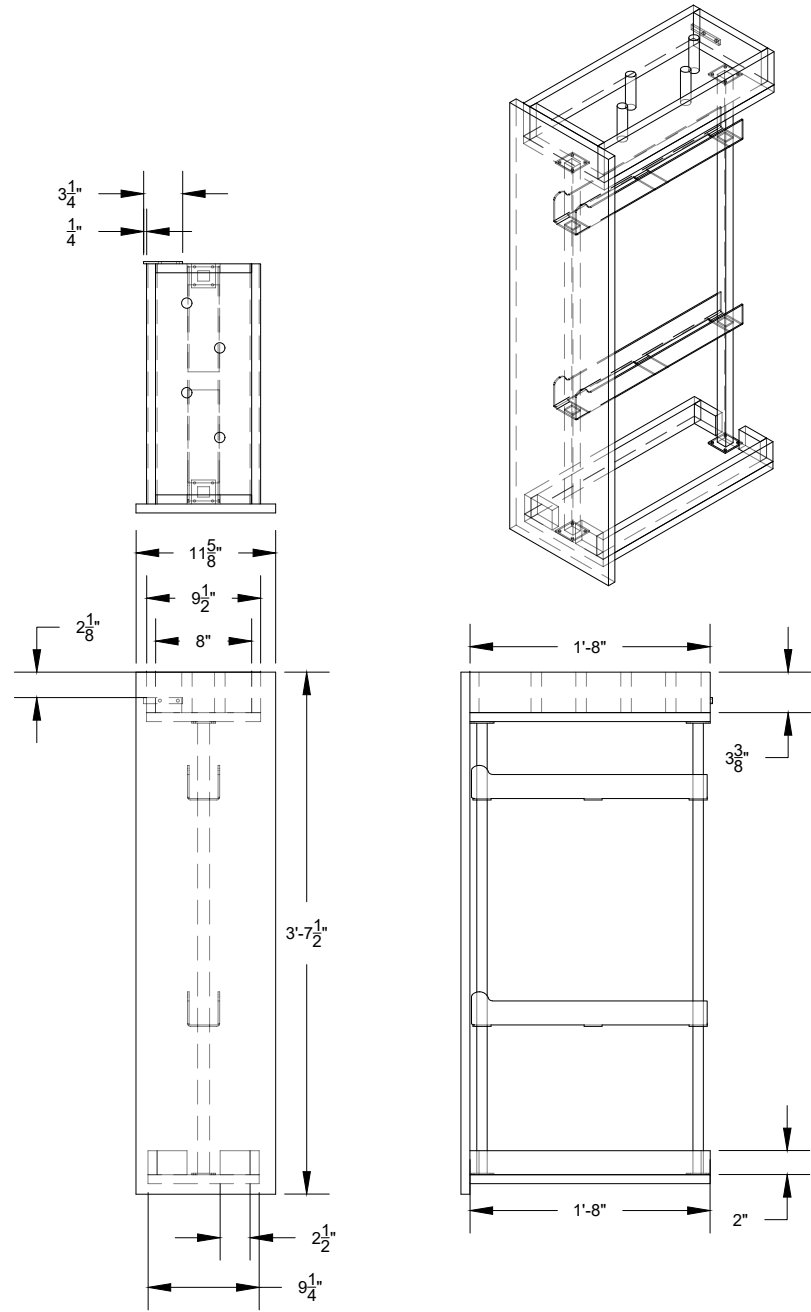
SCALE: 1/4" = 1'-0"

DATE: 9/19/19

PLATE:



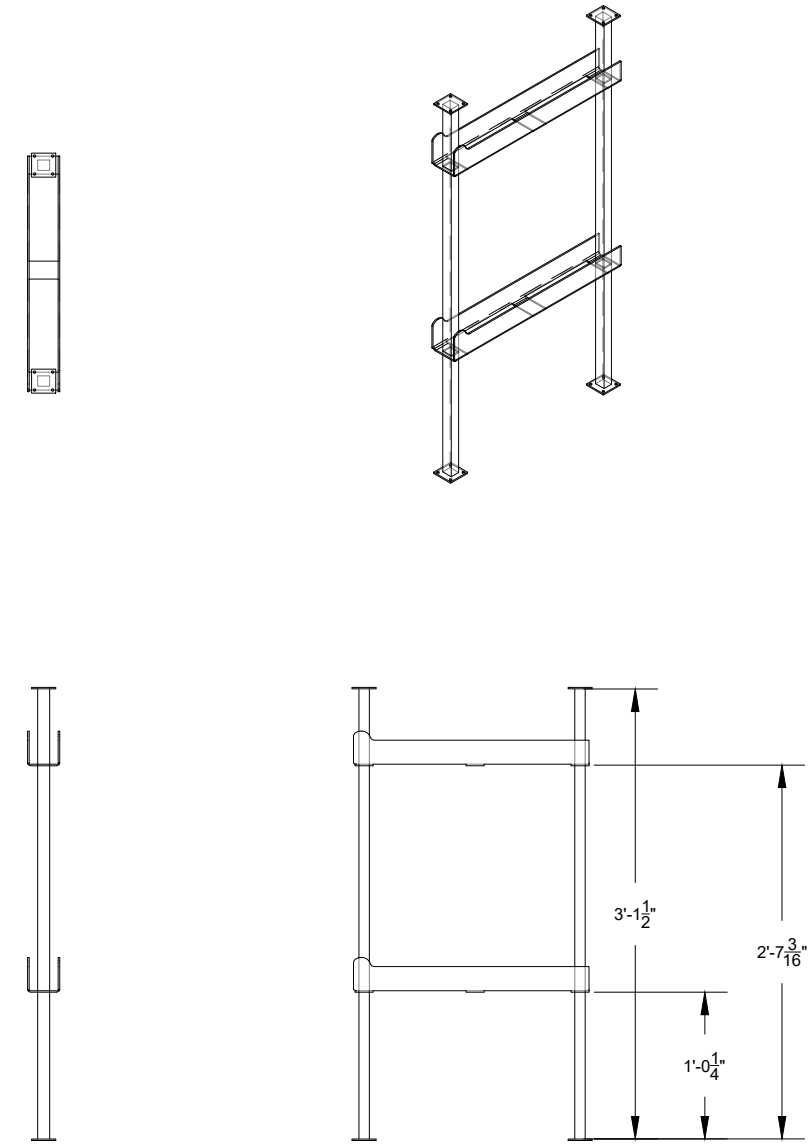
Daily Drawer



Cut List

- 3/4" AC Ply
 1 @ 3' - 7 1/2" x 0' - 11 5/8"
 1 @ 1' - 8" x 0' - 9 1/2"
 2 @ 1' - 8" x 0' - 3 3/8"
 2 @ 0' - 8" x 0' - 3 3/8"
 1 @ 1' - 8" x 0' - 9 1/4"
 2 @ 1' - 8" x 0' - 2"
 4 @ 0' - 2 1/4" x 0' - 2"
- 1x1 Steel
 2 @ 3' - 1 1/2"

Angle Grinder Drawer



Metal Working Cabinet

UVa Drama Scene Shop

Angle Grinder Drawer, AG Rack

Director: N/A
 Designer: Casey Horton
 Technical Director: N/A
 Assistant Technical Director: N/A

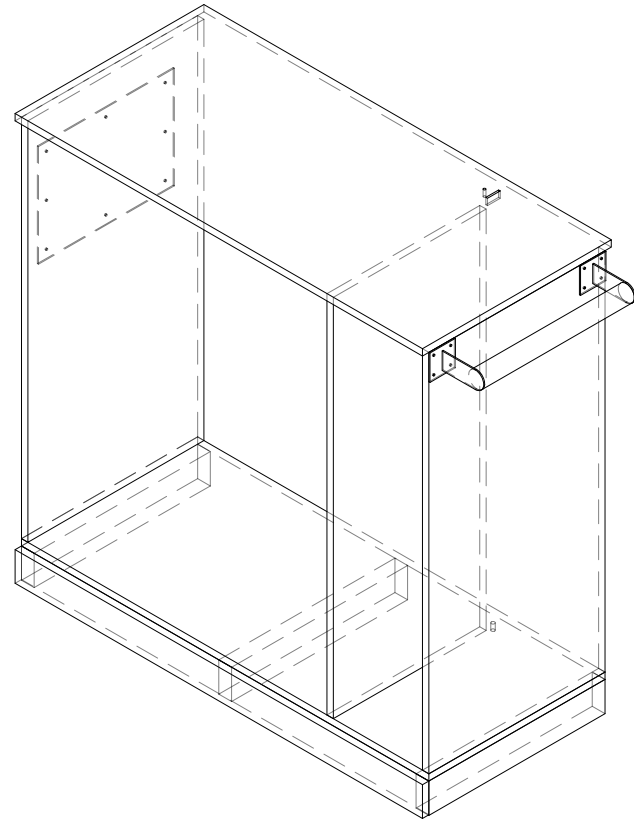
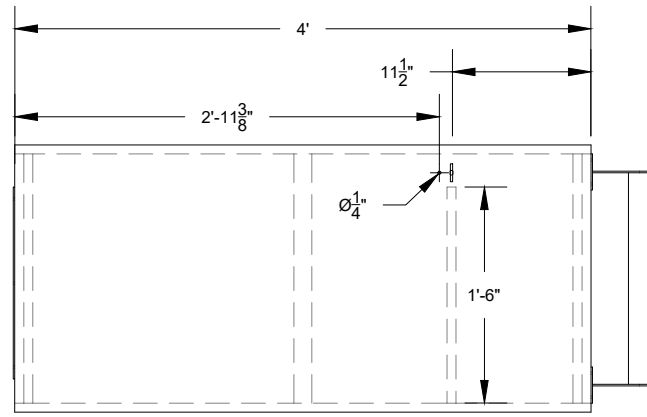
Venue: Scene Shop

DRAFTED BY: CJH
 SCALE: 1/4" = 1'-0"
 DATE: 9/19/19

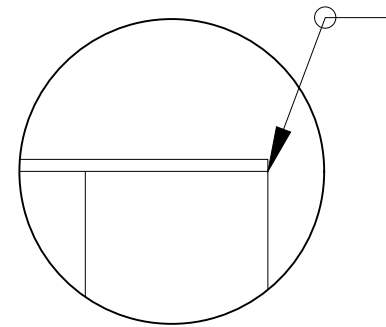
PLATE:



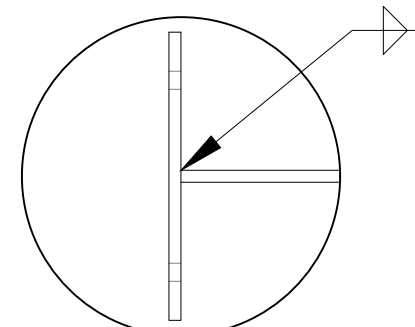
Cabinet



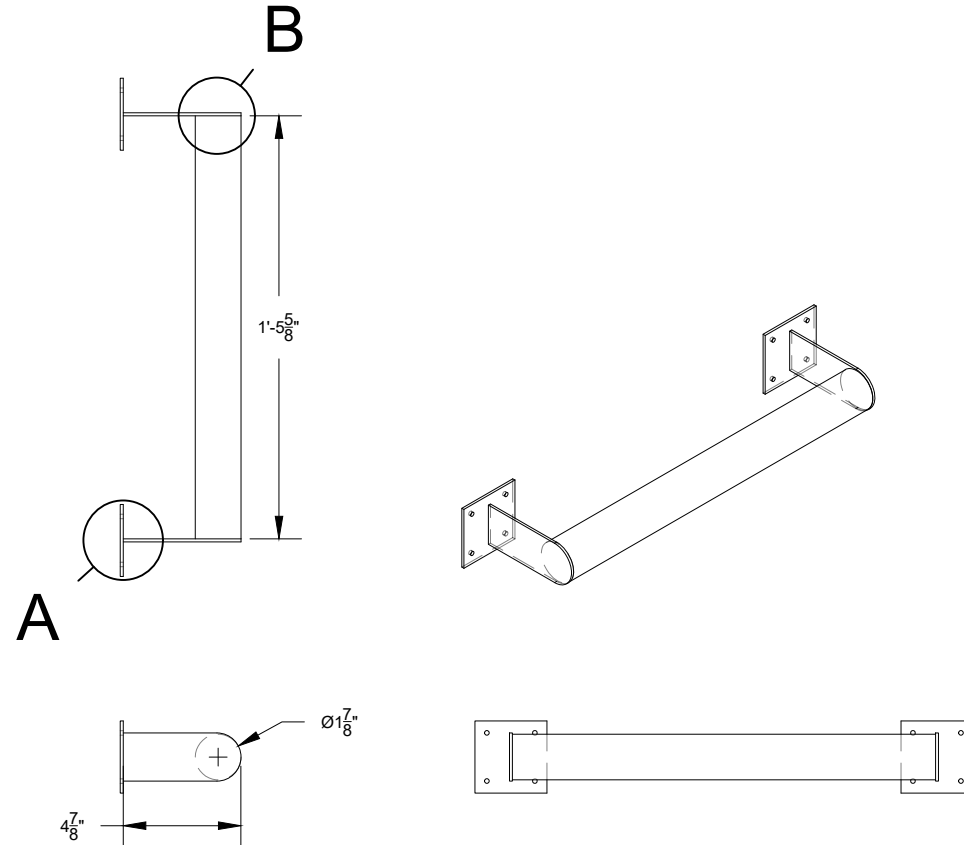
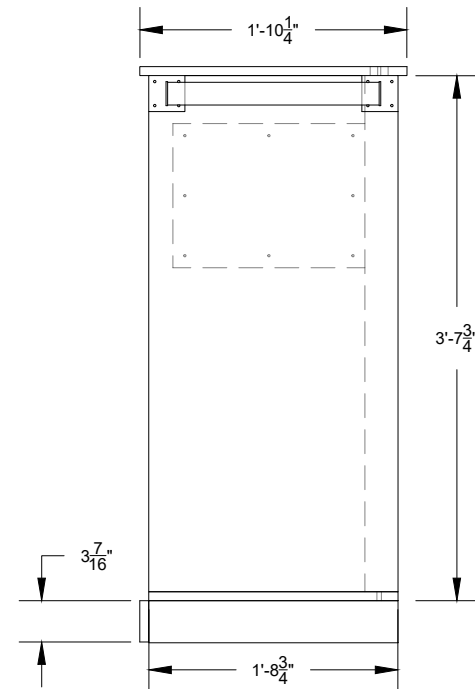
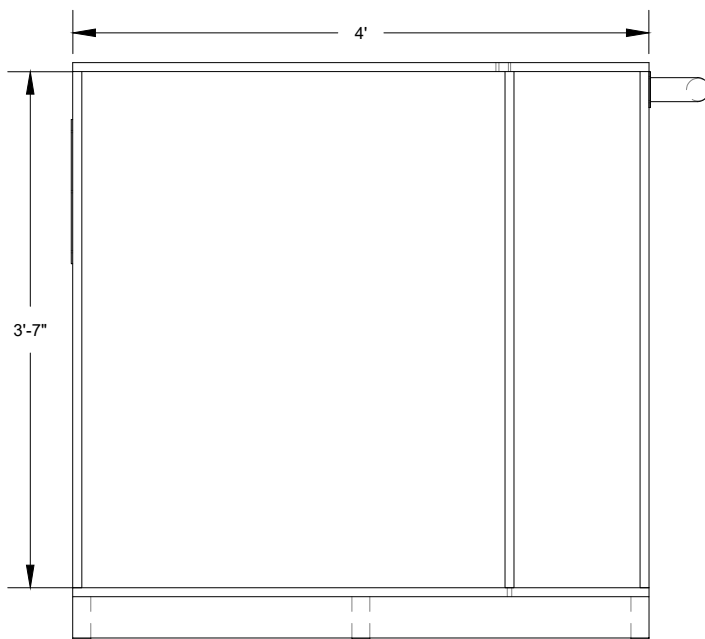
Angle Grinder Drawer



DETAIL B
SCALE 6" = 1'-0"



DETAIL A
SCALE 6" = 1'-0"



Cut List

- 3/4 AC Ply
- 1 @ 4' - 0" x 3' - 7 3/4"
- 1 @ 4' - 0" x 1' - 10 1/4"
- 1 @ 4' - 0" x 1' - 8 3/4"
- 2 @ 3' - 7" x 1' - 8 3/4"
- 1 @ 3' - 7" x 1' - 6"
- 1 @ 4' - 0" x 0' - 3 7/16"

2x4 Pine

- 3 @ 1' - 8 3/4"

Schedule 40 Pipe

- 1 @ 1' - 5 5/8"

Cabinet Shell, Vise Grip Rack

Metal Working Cabinet

UVa Drama Scene Shop

Scene Shop

Technical Director:
N/A
Assistant Technical Director:
N/A

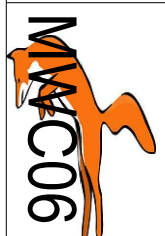
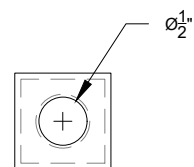
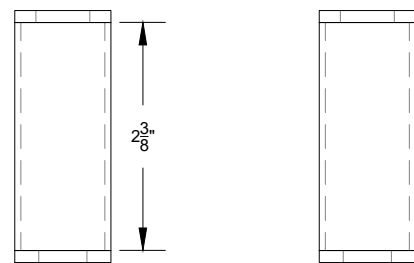
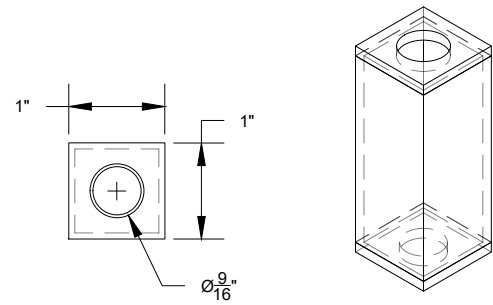
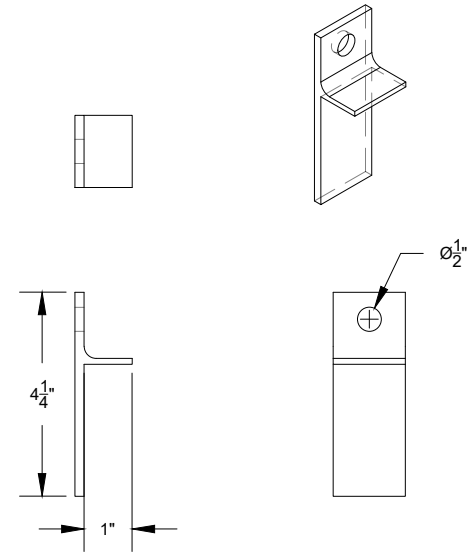
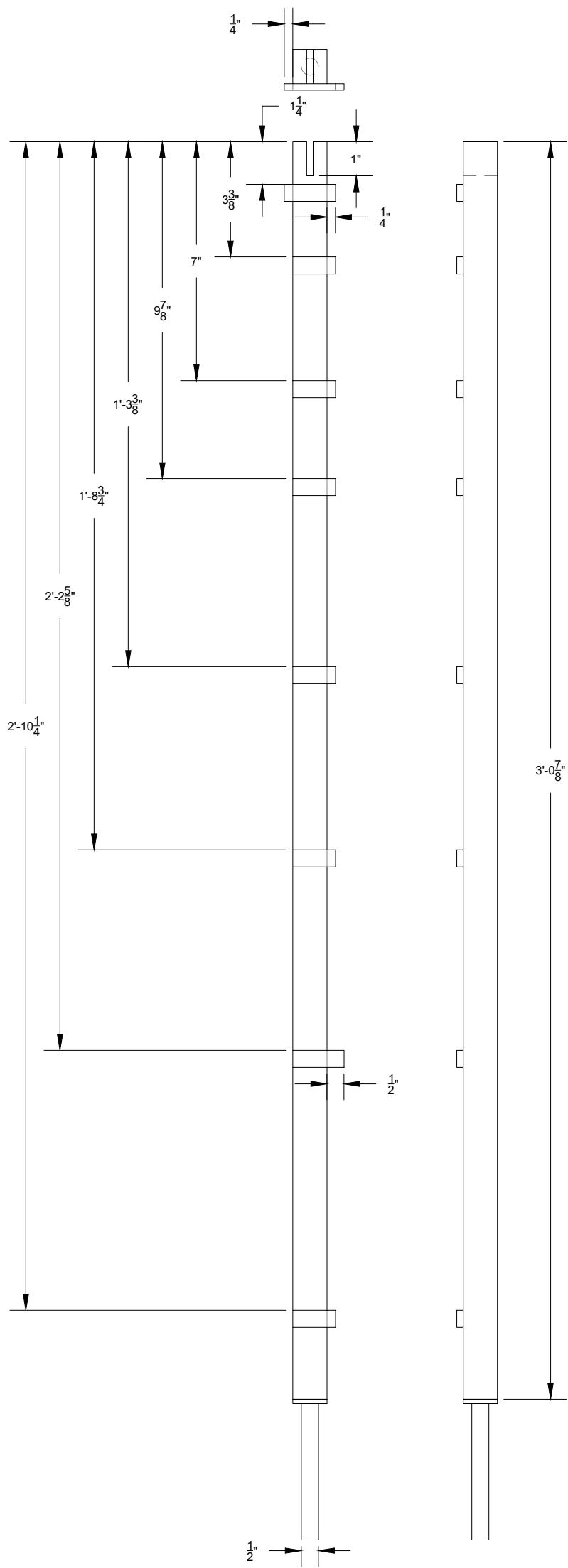
Director:
N/A
Designer:
Casey Horton

DRAFTED BY: CJH
SCALE: 1/4" = 1'-0"
DATE: 9/19/19

PLATE:



Angle Grinder Drawer



DRAFTED BY: CJH
SCALE: 1/4" = 1'-0"
DATE: 9/19/19
PLATE:

Metal Working Cabinet

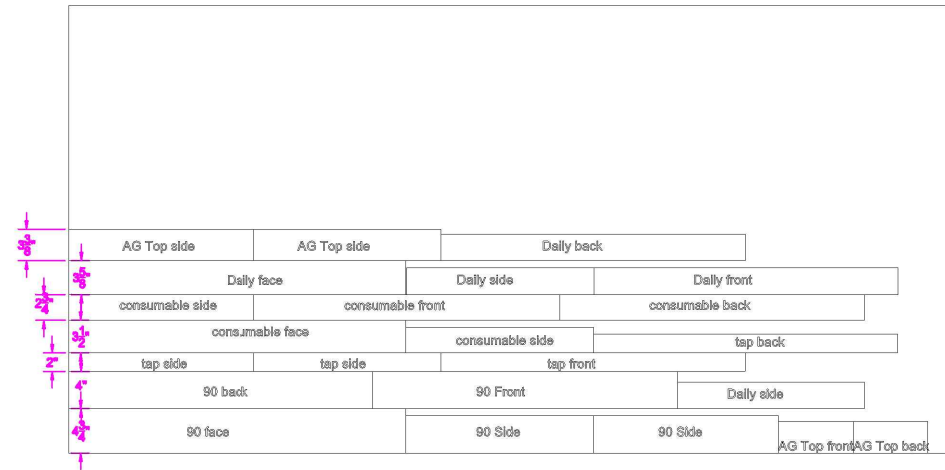
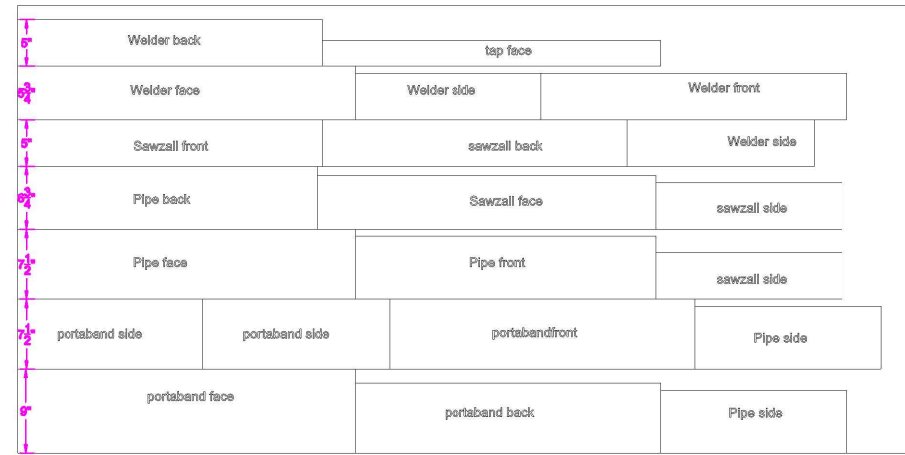
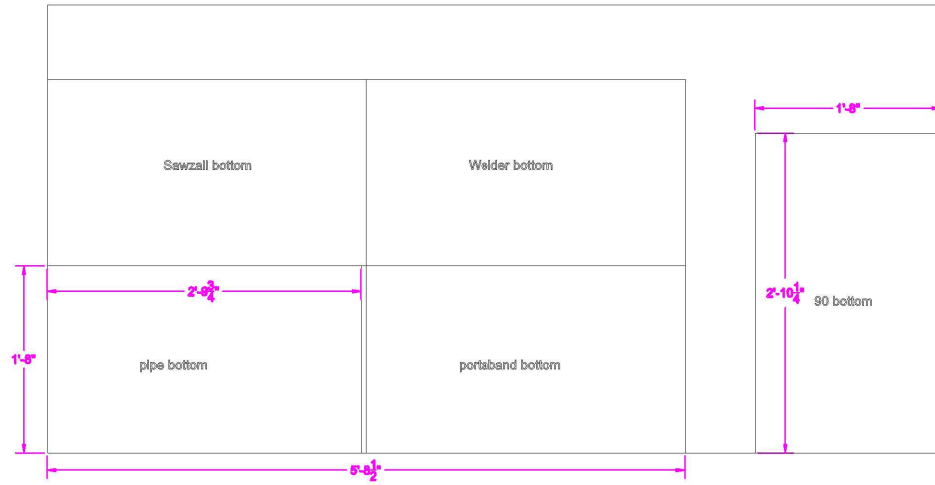
UVa Drama Scene Shop

Locking Rail

Director:
N/A
Designer:
Casey Horton

Technical Director:
N/A
Assistant Technical Director:
N/A

Venue:
Scene Shop



Sheet Layout

Metal Working Cabinet

UVa Drama Scene Shop

Venue: Scene Shop

Technical Director: N/A
Assistant Technical Director: N/A

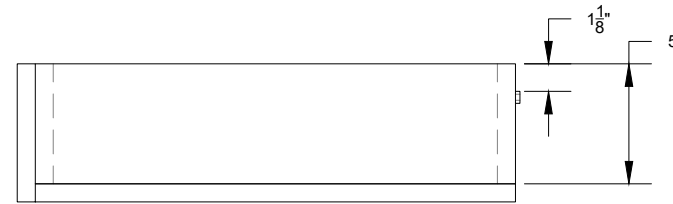
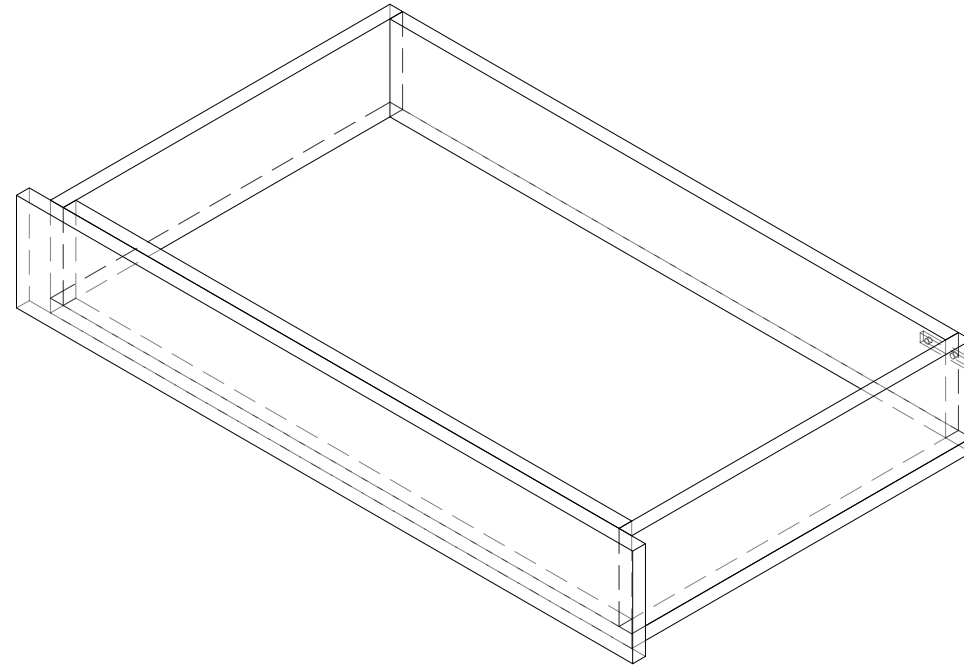
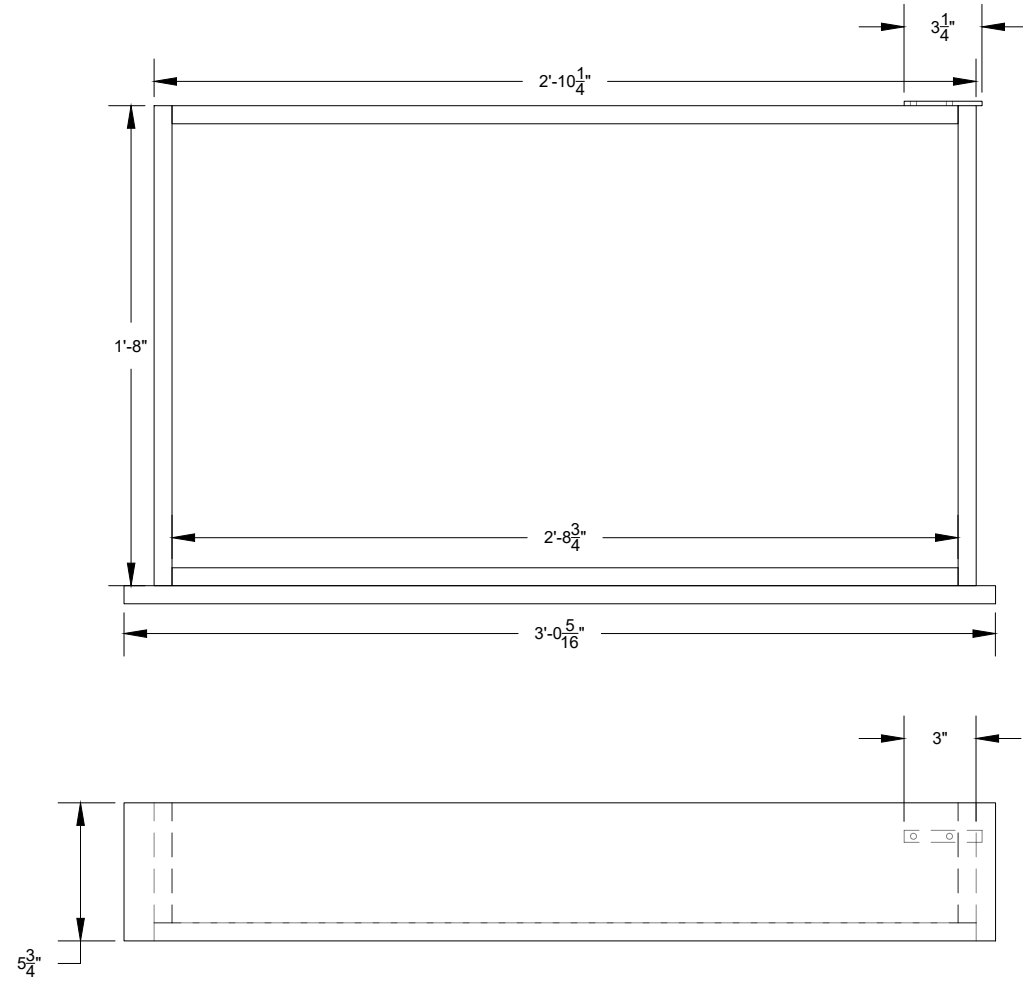
Director: N/A
Designer: Casey Horton

DRAFTED BY: CJH
SCALE: N/A
DATE: 9/30/19

PLATE:



Welding Drawer



- Cut List**
- 3/4" AC Ply
 - 1 @ 2' - 10 1/4" x 1' - 8"
 - 1 @ 3' - 0 5/16" x 0' - 5 3/4"
 - 2 @ 0' - 5" x 2' - 8 3/4"
 - 2 @ 0' - 5" x 1' - 8"

Notes:

- Glue and screw frames
- Don't attach face pieces until drawers are installed
- Bolt locking plates to back of drawers precisely

Welder Drawer

Metal Working Cabinet

UVa Drama Scene Shop

Venue: Scene Shop

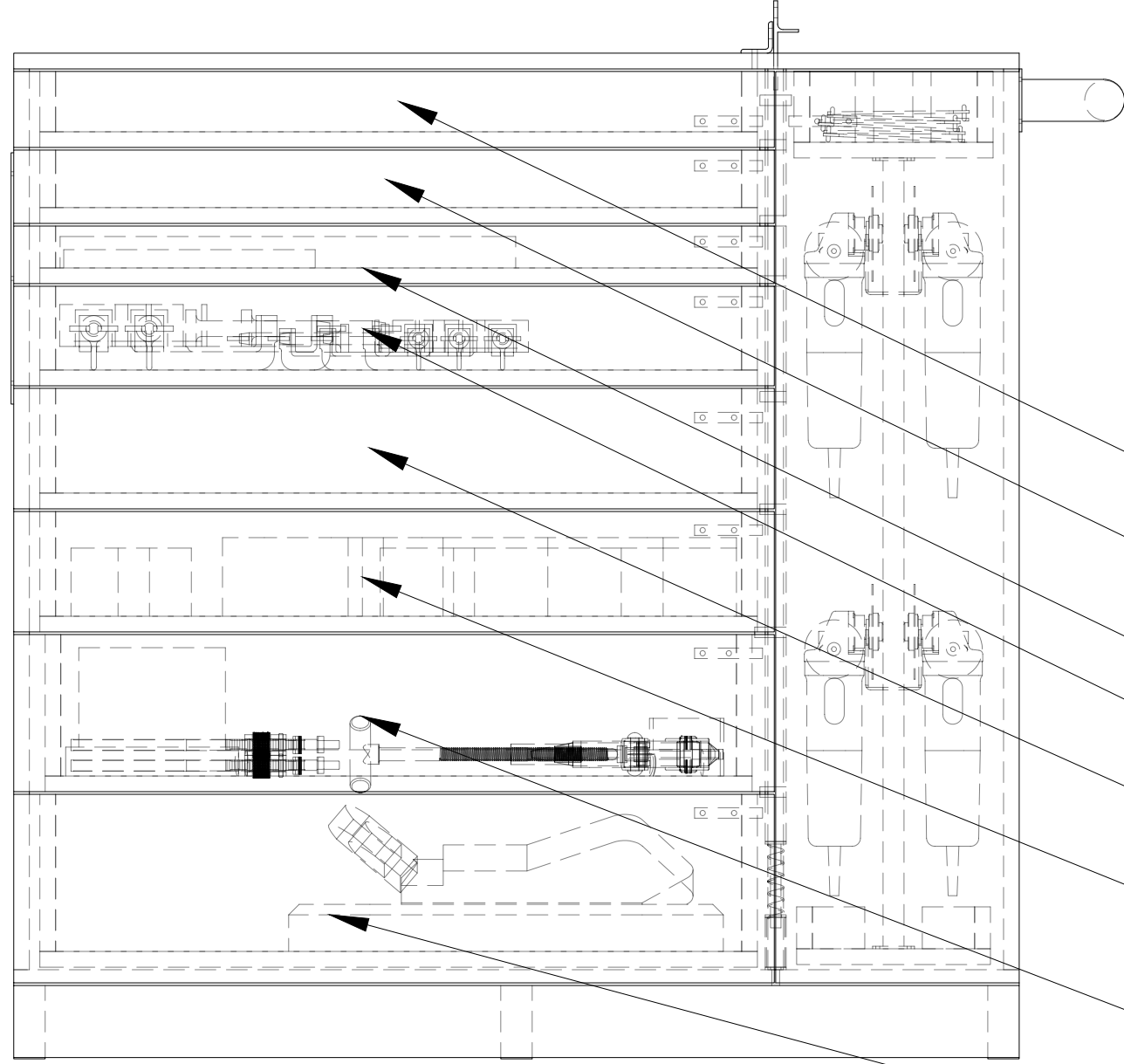
Technical Director: N/A
Assistant Technical Director: N/A

Director: N/A
Designer: Casey Horton

DRAFTED BY: CJH
SCALE: 3/4" = 1'-0"
DATE: 10/1/19

PLATE:





Daily

Consumables

Taps

Clamps

Welder Hoses

SawZall

Pipe

Portaband

Metal Working Cabinet

UVa Drama Scene Shop

Drawer Labels

Director: N/A
 Designer: Casey Horton
 Technical Director: N/A
 Assistant Technical Director: N/A

Venue: Scene Shop

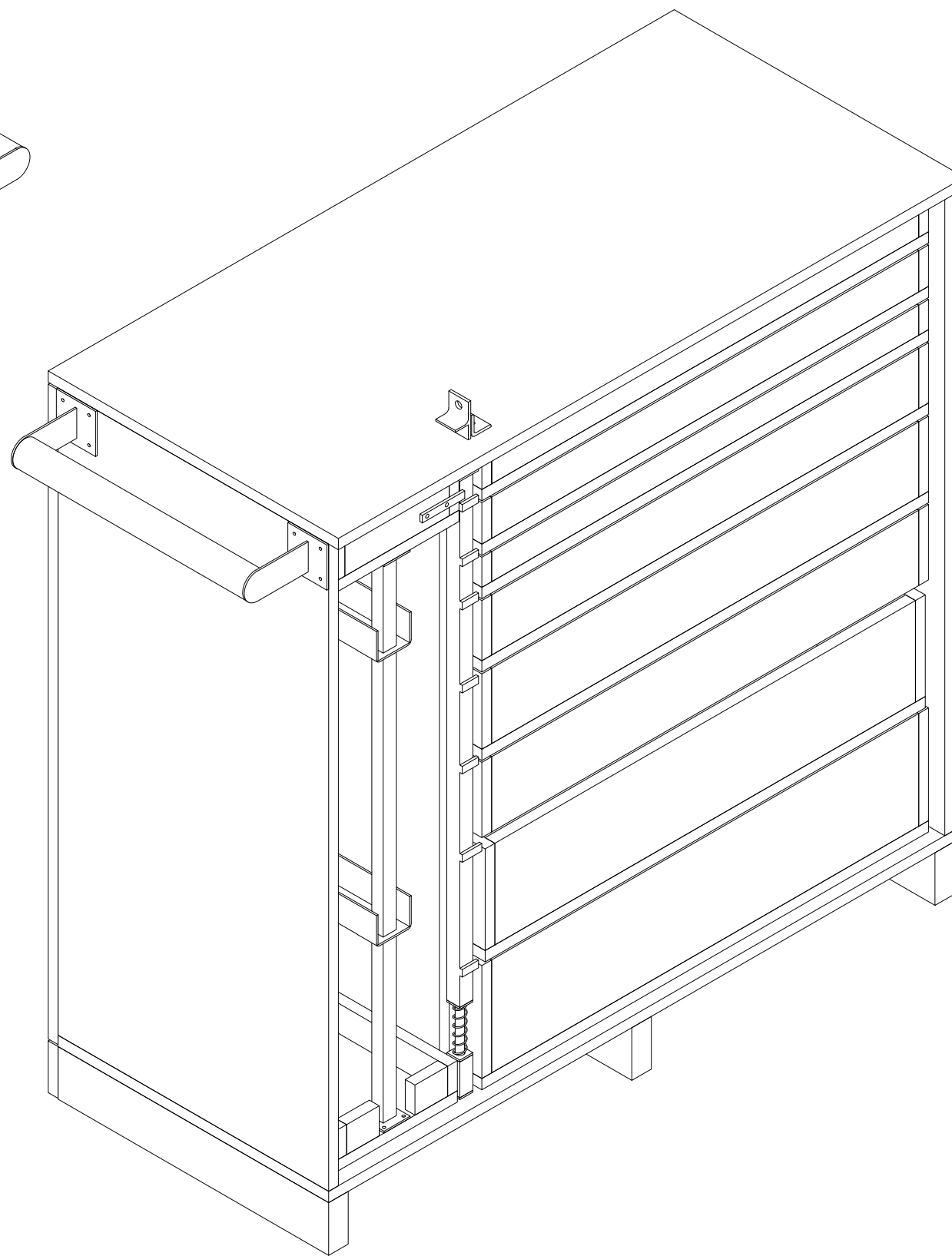
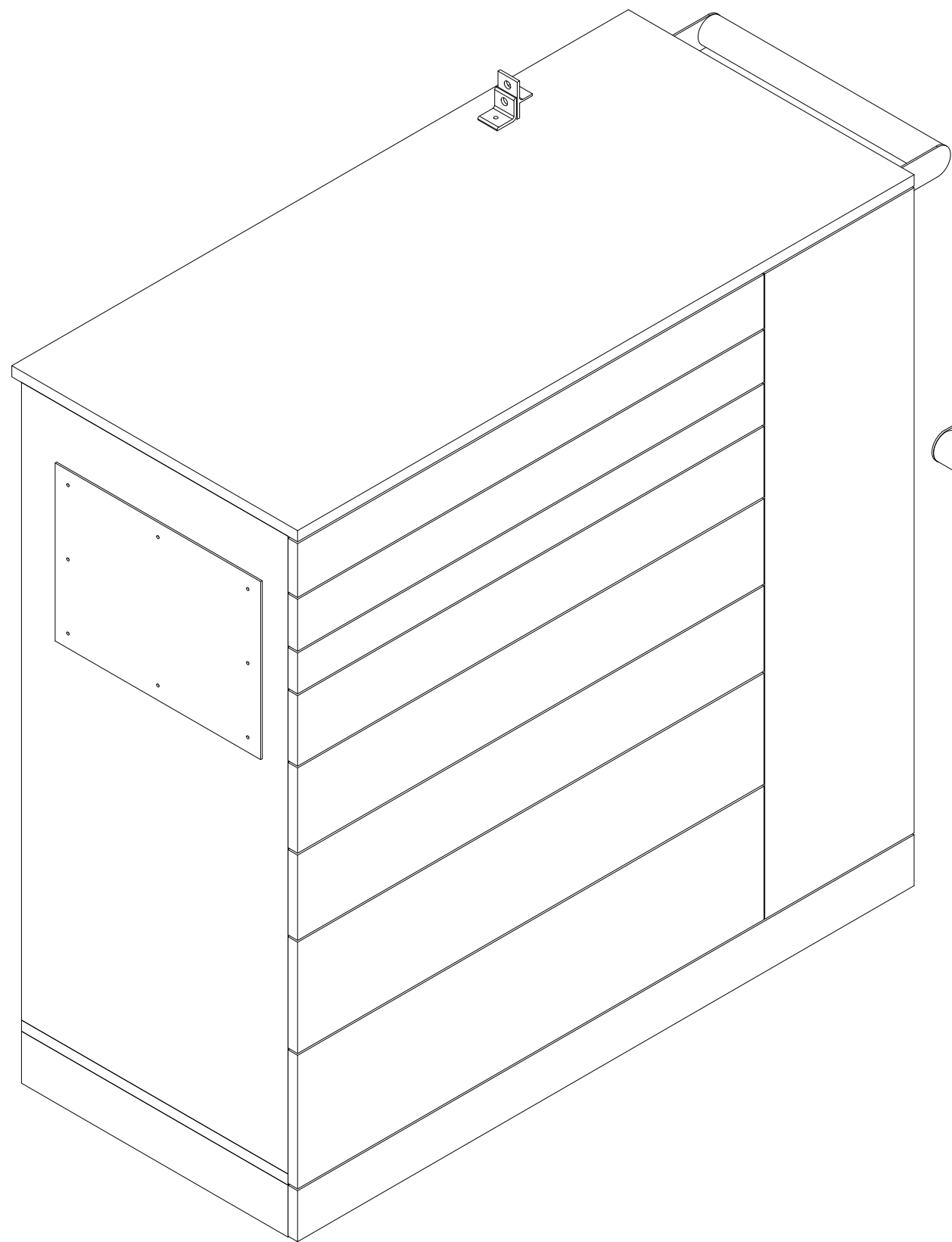
DRAFTED BY: CJH
 SCALE: 1-1/2" = 1'-0"

DATE: 12/5/19

PLATE:



MWC09



DRAFTED BY: CJH
 SCALE: 1-1/2" = 1'-0"
 DATE: 12/12/19

PLATE:



Metal Working Cabinet

UVa Drama Scene Shop

Finished Cabinet

Director: N/A
 Designer: Casey Horton

Technical Director: N/A
 Assistant Technical Director: N/A

Venue: Scene Shop